

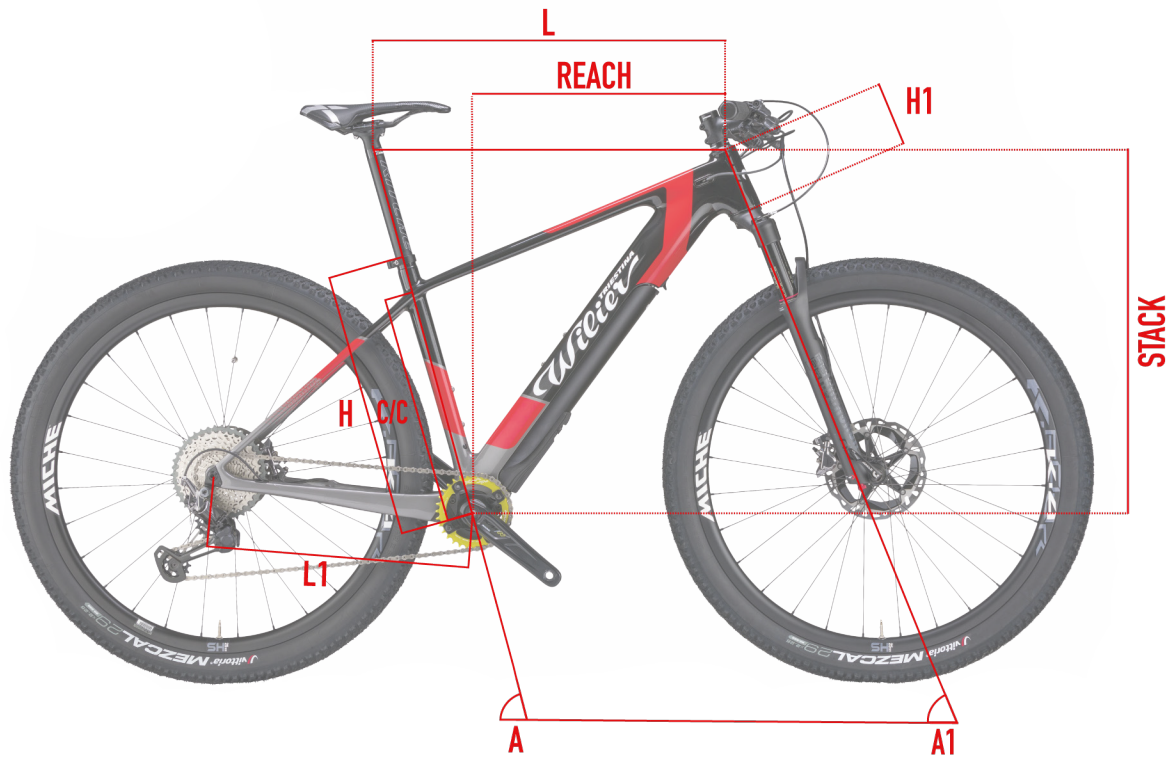
TECHNICAL INTRODUCTION
REV.01

101X

2

101X Hybrid has a lightweight carbon monocoque frame, transmission, wheels, high-level accessories and a geometry modelled on that of 110FX and 110X.

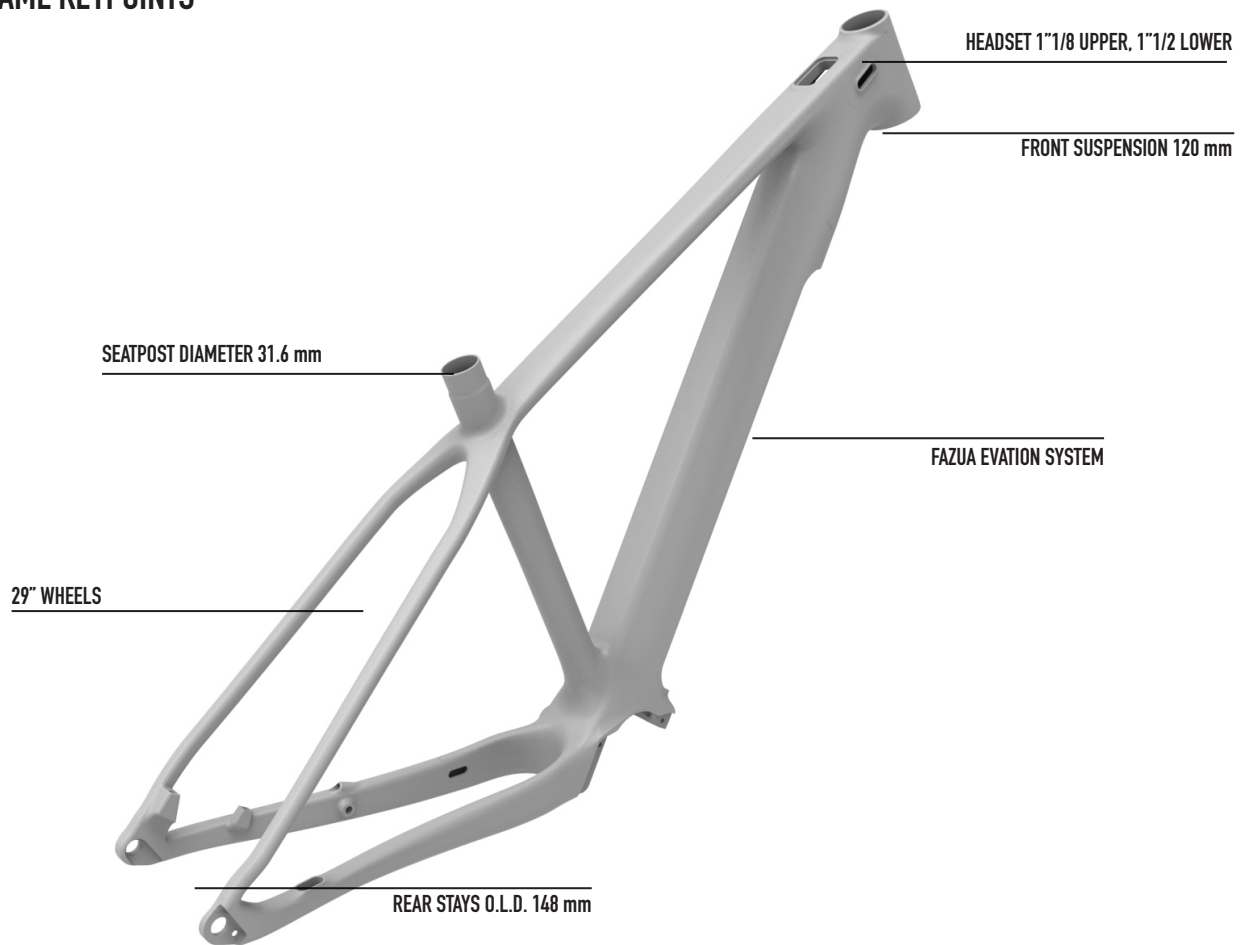
The result is a lightweight, easy-to-handle and high-performance off-road bike with a motor that lets you expand your riding horizons.

10-FHY**SIZES AND GEOMETRIES**

SIZE	C/C	L	H	A	H1	L1	A1	REACH	STACK	WHEELBASE
	[cm]	[cm]	[cm]	[°]	[mm]	[cm]	[°]	[mm]	[mm]	[mm]
S	44	52.7	46	74.5	136	40.8	71.5	374	546	984
M	47	54.2	49	74	157	40.9	72	379	566	992
L	50	55.9	52	73.5	176	41.1	72.5	384	586	1000
XL	53	57.5	55	73	196	41.2	72.5	389	604	1013



FRAME KEYPOINTS



FRAME DETAILS

HEADTUBE	1 1/8 UPPER, 1 1/2 LOWER
UPPER/LOWER BEARING	RITCHEY COMP
FRONT FORK O.L.D.	SUSPENDED FORK
REAR STAYS O.L.D.	148 mm (BOOST GEMOETRY)
BB SHELL	FAZUA ENGINE
SEAT POST	31.6
SEAT COLLAR DIAMETER	35
FRONT DERAILLEUR TYPE	Not available
FRONT SUSPENSION	120mm TRAVEL

SPARE PARTS LIST



CODE	DESCRIPTION
HGACCEMS06-PART-2	CABLE PLATE
HGACCEM60S-PART-3	CABLE PLATE
HGACCE62.1	REAR DROPOUT
HGACCEQR462S	PROMAX REAR AXLE
HGACCE46EB.1	BB PLASTIC CASE



FAQ

How fast can the pedal assist system go?

The FAZUA EVATION pedal assist system installed on the 101X HYBRID delivers power up to 25 km/h. Beyond this speed, the bike can be ridden as a normal MTB. The low total weight of the bike and the handling make the 101X HYBRID easy to ride at speeds over 25 km/h even without the assistance of the motor.

How fast can the pedal assist system go?

The FAZUA EVATION pedal assist system installed on the 101X HYBRID delivers power up to 25 km/h. Beyond this speed, the bike can be ridden as a normal MTB. The low total weight of the bike and the handling make the 101X HYBRID easy to ride at speeds over 25 km/h even without the assistance of the motor.

Can the 101X HYBRID be used like a normal MTB?

Of course. You can remove the case containing the motor and the battery from the down tube and install the protection provided by FAZUA. This decreases the bike's overall weight by 3.6 kg.

Do I have to do regular maintenance on the system?

Maintenance is quite limited and simple. The FAZUA EVATION system requires no particular maintenance: wash your bike like a normal bike, lubricate the chain and check wear on the brake pads. However, Wilier Triestina recommends you have it checked regularly at an official reseller to avoid mechanical issues.

How can I extend battery capacity?

You can purchase additional batteries from your local retailer. The battery's size and weight is similar to that of a bottle of water and can be easily transported.

Can I remove the battery from my 101X HYBRID?

Yes, the battery can be removed with no tools: simply remove the case from the down tube and remove the battery from inside.

How should I store my 101X HYBRID's battery?

If the battery won't be used for a long period, we recommend you store it at room temperature, ideally between 18 and 20°C. Avoid leaving the battery installed on the 101X HYBRID during cold nights or exposed to direct sunlight.

I have a question or a problem with the steering system. What can I do?

Contact your local FAZUA or Wilier Triestina dealer.





FAQ

How can I wash the 101X HYBRID?

We recommend wiping it with a soft cloth and mild soap, then drying it completely before use. Do not use compressed air during washing.

Can I use the 101X HYBRID when it rains or in the mud?

Both the motor and the battery are water resistant, so you can use it in muddy or wet conditions.

Can I install the telescopic seatpost on the 101X HYBRID?

You can install the telescopic seatpost. The diameter of the seatpost hole is 31.6 mm.

What type of wheels can be installed on the 101X HYBRID?

29" wheels with 110x15 front boost axle and 148x12 rear boost axle.

Can I take my 101X HYBRID on a plane?

You will need special permission to take your 101X HYBRID on a plane. You should contact your airline before booking your ticket.

