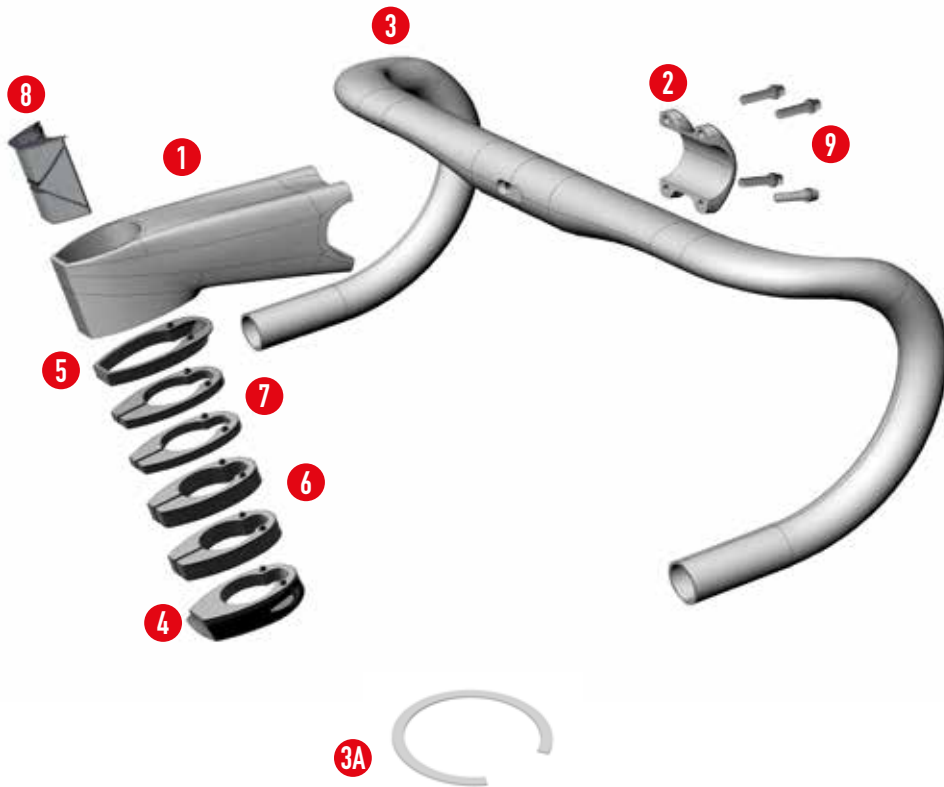


**INSTALLATION GUIDE
DIRECT MOUNT – DI2 GEAR**

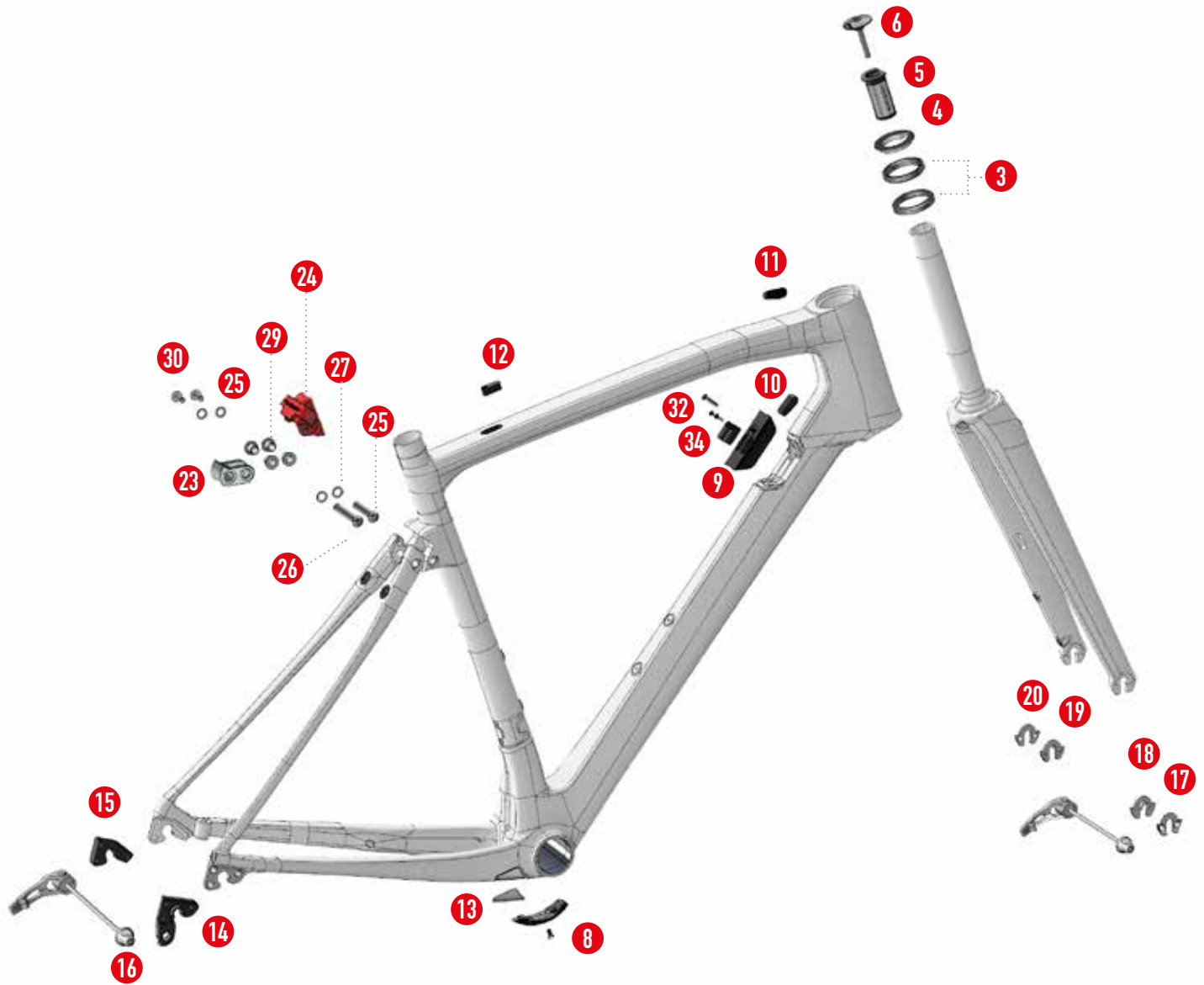
CERVELO 10 NDR





	B2B CODE	DESCRIPTION
1		
2	E8STM	Handlebar stem Stemma
9		
3	E8BAR	bar handlebar curve
3a		microspacer
4	WTP110-16A	top cover for cento10air / ndr frame
5	WTP110A-18	top spacer
6		
7	WTP110A-17	kit shims (2x 10mm + 2x 5mm)
8	WTP110A-15	handlebar expander

LIST OF PARTS FOR CALIPER BRAKE/ELECTRONIC GROUP CONFIGURATION



LIST OF PARTS FOR CALIPER BRAKE/ELECTRONIC GROUP CONFIGURATION

	DESCRIPTION	B2B CODE
3	MR137	FSA 1" 1/8 bearings for Cento10NDR
4	WTP110A-4	Bearing compression ring
5	HGEXP03	Fork expander
6		
8	HGACCE53.5	Sub-shell cabling plaque
9	WTP110A-6B	Oblique tube plugging plaque for Di2 groups
10	WTP110N-2	"oval" type plug for ICRS
11		Oval cable gland
12		Cable gland for rear brake
13	WTP110N-15	Chain protector
14	WTP110N-12QR	rear forks for QR quick release (2 pc, 1 RH and 1 LH)
15		
16	WTP110N-17R	quick release for rear wheel
17		
18	WTP110N-18QR	front forks for QR quick release (4 pc, 2 RH and 2 LH)
19		
20		
21	WTP110N-17F	sgancio rapido per ruota anteriore
23	WTP110N-13-2	Link in alluminio
24	WTP110N-13-1S	ammortizzatore soft
24	WTP110N-13-1M	ammortizzatore medium
24	WTP110N-13-1H	ammortizzatore hard
25	WTP110N-13-6	Vite fissaggio Actiflex L = 45.9
26	WTP110N-13-7	Vite fissaggio Actiflex L = 55.9
27	4x WTP110N-13-3	Distanziale
28		Booster
29	2x WTP110N-13-5	Boccole IGUS
30	2x WTP110N-13-4	Dado di chiusura



1 INSTALLATION ELECTRONIC CABLE

1a Insert the electronic cable in the upper hole of the head tube, so that it comes out of the bracket cage.



Insert the fork sleeve in the head tube from the lower hole. **2b**



Insert the top bearing (no. 3 in the «Frame» BOM) on the fork sleeve. Insert the top cone (no. 4 in the «Frame» BOM) on the fork sleeve. **2c**

2 FORK INSTALLATION

2a Insert the bottom bearing (no. 3 in the «Frame» BOM) on the fork sleeve

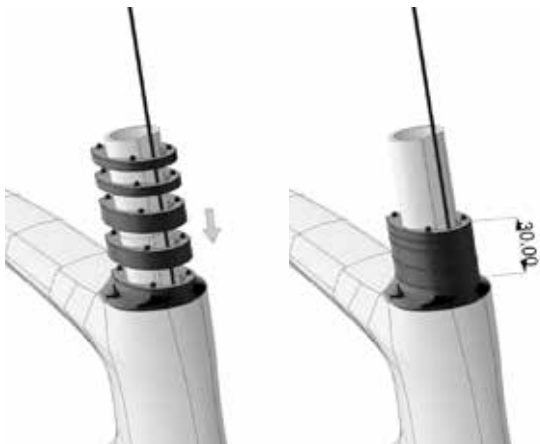


Insert the top cover (no. 4 in the «Frame» BOM) on the fork sleeve. **2d**



In case the top cover touches the horizontal tube: remove it, insert a micro-spacer (no. 3 in the «Parts list» BOM) making sure that the cut is wide enough to let the control cables sheaths and the front brake cable go through. Then put back the top cover. **2e**

- 2f** Insert the spacers (no. 6 and 7 in the «Stem» BOM) on the fork sleeve according to the user preferences (from zero up to a maximum overall thickness of 30 mm). Cut the fork sleeve so that between its top border and the border of the handlebar stem, there are no more than 4 mm.



- 2g** Insert the top spacer (no. 5 in the «Stem» BOM) on the fork sleeve.



- 2h** Cut the fork sleeve so that between its top border and the border of the handlebar stem, there are no more than 4 mm.



- Insert the expander (no. 5 in the «Frame» BOM) in the **2i** fork sleeve.



- Tighten the expander (no. 5 in the «Frame» BOM) with **2l** a tightening torque of 8÷10 Nm.



3 INSTALLATION HANDLEBAR STEM

- 3a** Insert the electronic cable through the special hole under the handlebar stem so that it comes out of the front hole. Insert the handlebar stem on the fork sleeve.



- 3b** Insert the locking cartridge (no. 8 in the «Stem» BOM) between the fork sleeve and the handlebar stem.



- 3c** Insert the expander adjustment screw (no. 6 in the «Frame» BOM) in the expander (no. 5 in the «Frame» BOM).



- Tighten the expander adjustment screw (no. 6 in the «Frame» BOM) until the steering turns without play (apply a maximum torque of 4 Nm).

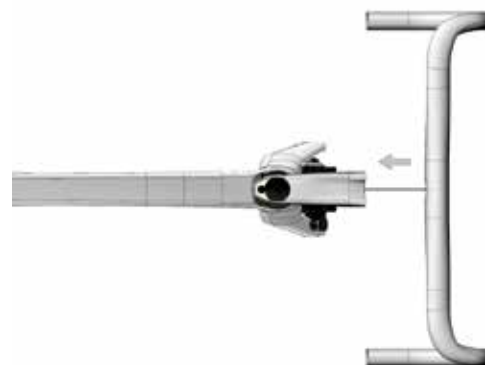


- Tighten the locking cartridge (no. 8 in the «Frame» BOM) with a tightening torque of 7-8 Nm.

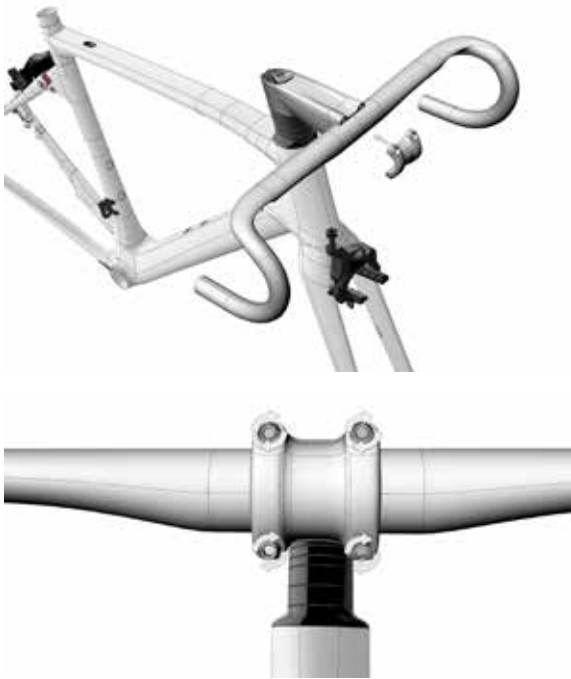


4 INSTALLATION HANDLEBAR

- Connect the electronic cable to the splitter cable. **4a**
Insert the splitter cable inside the handlebar through the special central hole.



- 4b** Bring the handlebar close to the stem making sure that it is centred and in the correct direction. Keep the stem in position by means of the face plate (no. 2 in the «Stem» BOM). Tighten the face plate screws (no. 2 in the «Frame» BOM) with a tightening torque of 5-6 Nm.



5 INSTALLATION CONTROL LEVERS

- 5a** Insert the gear levers on the handlebar until they are correctly positioned (refer to the corresponding user manual).



- Install the front brake gland as the figure shows, **5b** making sure that the steering can turn easily.



6 INSTALLATION OF THE REAR BRAKE GLAND

- Insert the rear brake gland in the inlet hole on the horizontal tube (no. 11 in the «Frame» BOM), and **6a** connect it to the gear lever as the figure shows. Cut it to a suitable size so that the steering can turn easily.



- 6b** Connect the rear brake cable to the corresponding nipper, as the figure shows. Insert the gland in the rear inlet hole on the horizontal tube (no. 12 in the «Frame» BOM).



7 INSTALLATION CABLE GLAND PLATE

7a Close the cable gland plate (no. 9 in the «Frame» BOM) tightening the locking screw with a tightening torque of 3÷4 Nm.

Insert the covers (no. 39 in the «Frame» BOM) in the cable gland plate. Tighten the corresponding screws with a tightening torque of 2 Nm.





