

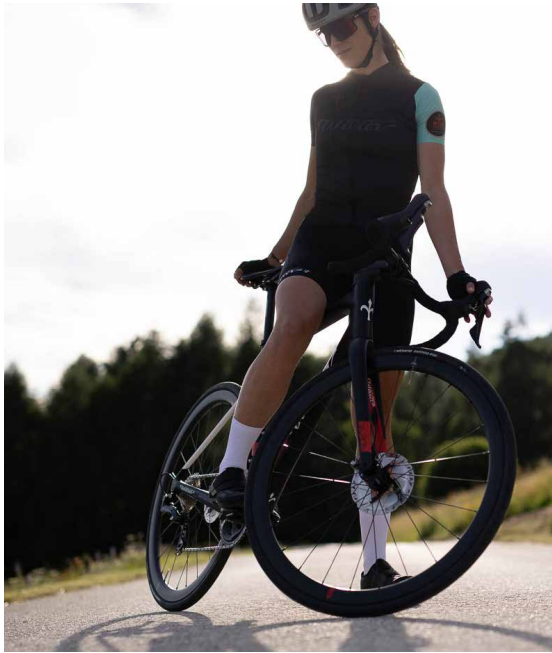
# GLARROIA

**GARDA**

Endurance means pedalling for hours. It doesn't matter if it's during a tough training session or simply for the pleasure of a long ride. What counts is that the highest level of comfort is guaranteed in any situation.

By combining comfort and technological solutions that meet the desires of the amateur rider without competitive ambitions, came Garda, a carbon bike that will let you pedal away for hours without stress.



**GARDA**

### CABLE INTEGRATION

Garda incorporates the best solutions developed for top-end carbon racing bikes: the special design of the Stemma S handlebar stem houses the cables within the frame for complete integration and an upscale elegant look.



### GENEROUS CLEARANCE

Garda is the perfect product for those who love to ride a modern bike, able to fit (in the disc version) tyres up to 32 mm to further increase riding safety and comfort.



### DISC AND RIM BRAKES

Garda is available in 6 sizes, with disc or traditional rim brakes.



**GARDA**

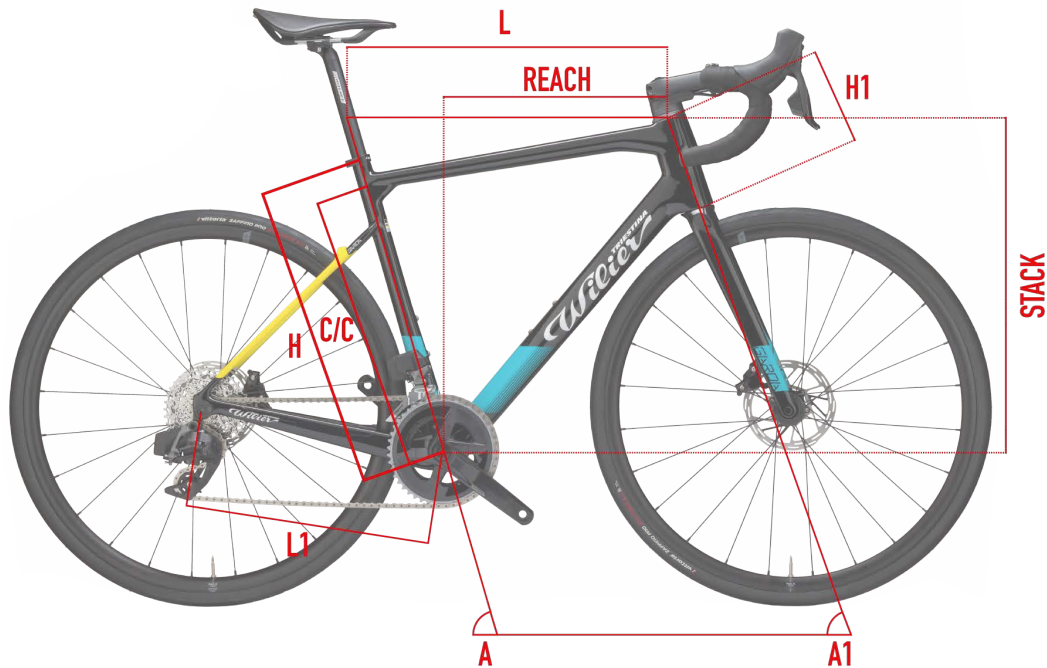
COLOR	ASTANA
FINISH	GLOSSY
COLOR CODE	G35



COLOR	BLACK/RED
FINISH	MATT
COLOR CODE	G36

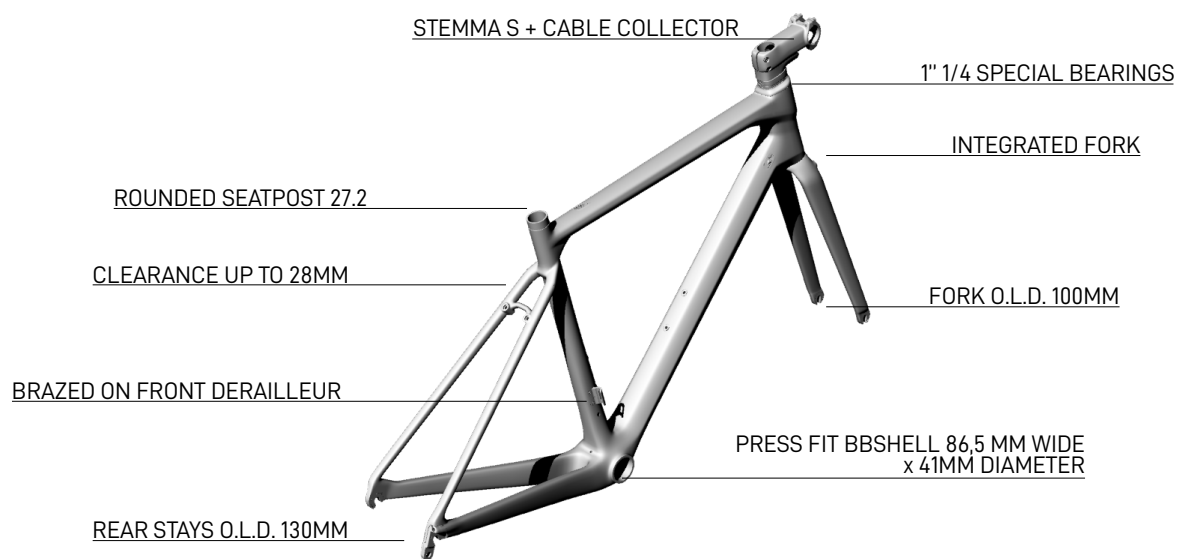


## GEOMETRIES AND SIZES DISC & RIM VERSION



	H	C/C	L	A	H1	L1	A1	REACH	STACK	WB
SIZE	[cm]	[cm]	[cm]	[°]	[cm]	[cm]	[°]	[mm]	[mm]	[mm]
XS	44	38.5	51.1	75.2	11.2	40.9	70.5	373	515	981
S	46,5	41	52.6	74.6	12.5	40.9	71.7	378	531	981
M	49	43.5	54.1	74	14.4	41.1	72.15	383	548	990
L	52	46.5	55.6	73.5	16.1	41.1	72.65	388	566	996
XL	55	49.5	57.2	73	17.9	41.4	72.8	393	584	1009
XXL	58	52.5	58.7	72.6	19.7	41.4	73.1	398	602	1016

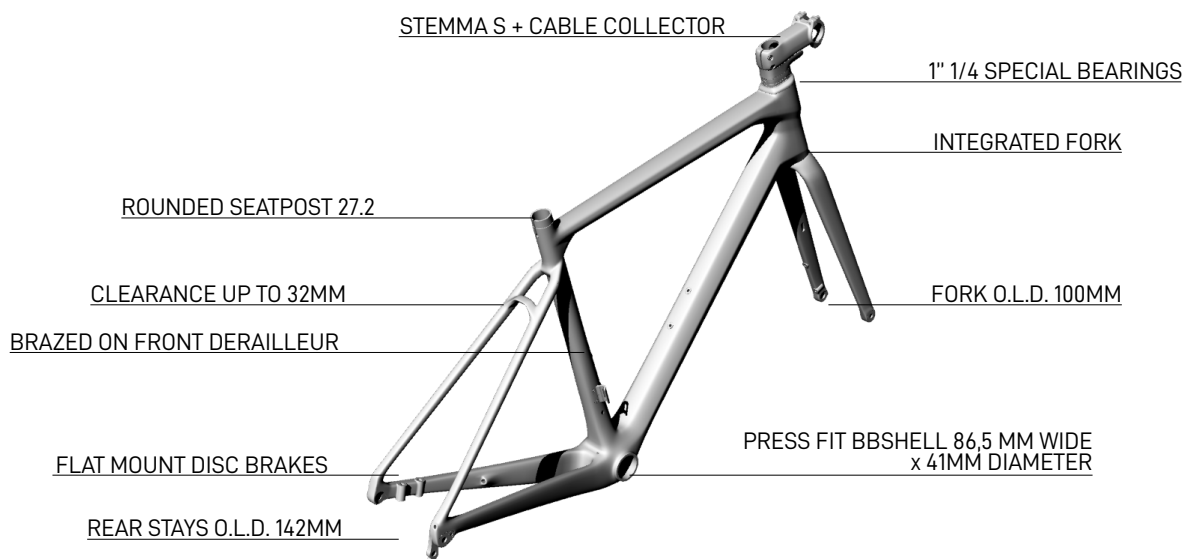
## RIM VERSION KEYPOINTS



## FRAME AND TECHNICAL SPECS DETAILS - RIM VERSION

HEADTUBE	1"1/4 - 1"1/4
UPPER BEARING	WTP-BEARING-SS 39 X 46.9
LOWER BEARING	FSA MR137
FRONT FORK O.L.D.	100 mm
REAR STAYS O.L.D.	130 mm
BB SHELL	SHIMANO PRESS FIT (86.5 wide x 41 diameter)
SEAT POST	ROUNDED SEATPOST 27.2
FRONT DERAILLEUR TYPE	BRAZED ON
SEATPOST COLLAR	31.8

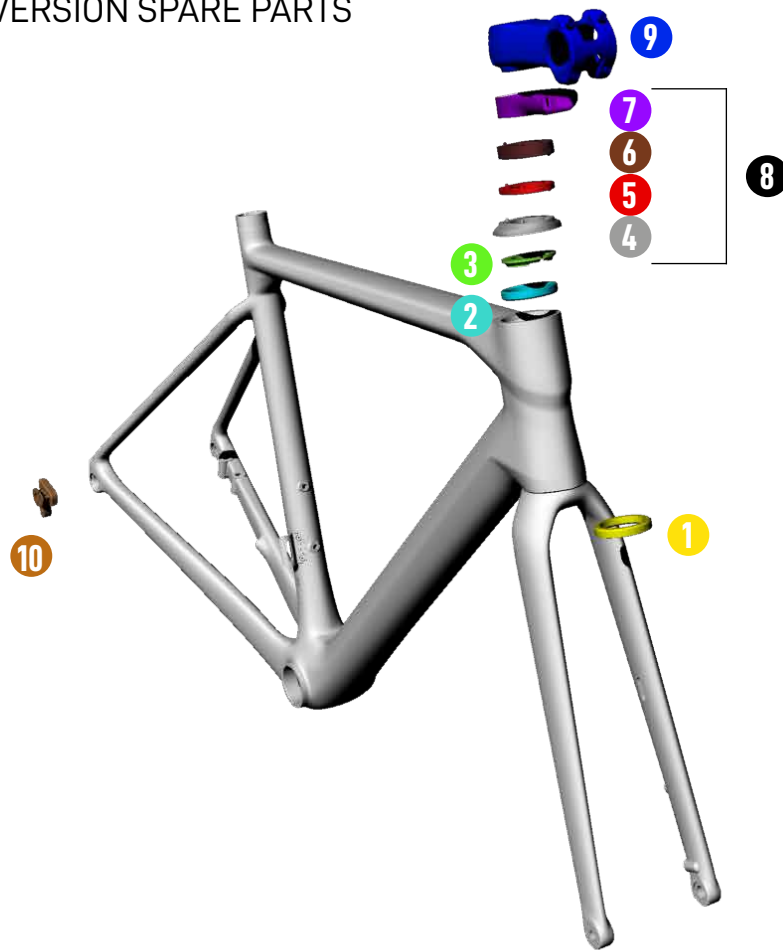
## DISC VERSION KEYPOINTS



FRAME AND TECHNICAL SPECS DETAILS - DISC VERSION	
HEADTUBE	1"1/4 - 1"1/4
UPPER BEARING	WTP-BEARING-SS 39 X 46.9
LOWER BEARING	FSA MR137
FRONT FORK O.L.D.	100 mm - THRUE AXLE HEXAGON 12 X 125 passo 1.5
REAR STAYS O.L.D.	142 mm - THRUE AXLE HEXAGON 12 X 171 passo 1.5
BB SHELL	SHIMANO PRESS FIT (86.5 wide x 41 diameter)
SEAT POST	ROUNDED SEATPOST 27.2
FRONT DERAILLEUR TYPE	BRAZED ON
SEATPOST COLLAR	31.8



DISC/RIM VERSION SPARE PARTS



DISC/RIM VERSION SPARE PARTS		
1	MR137	FSA BEARING
2	WTP-BEARING-SSLIM	BEARING SUPER SLIM
3	WTP-COMPRING-SS	COMPRESSION RING PER BEARING SUPER SLIM
4	W0TC	TOP COVER
5	WTP-ZSPACER5	SPACER 5MM FOR ZERO FRAME
6	WTP-ZSPACER10	SPACER 10MM FOR ZERO FRAME
7	WTP-STEMCC	TOP COVER CABLE COLLECTOR
8	WKITCCOL	WTP-STEMCC + W0TC + WTP-ZSPACER5 x3 + WTP-ZSPACER10 x2
9	ESSTM	STEMMA S
10	HGACCE59.5	DROPOUT FOR GARDA DISC
11	WTP-DR10SL	DROPOUT FOR GARDA RIM
12	EXROUFGK	EXPANDER FOR ROUNDED FORK
13	WTPTA12125-C	FRONT THRU AXLE 12X125 - DISC VERSION
14	WTPTA12171-C	REAR THRU AXLE 12X171 - DISC VERSION



## FAQ

### How much does the frame weigh?

The frame weighs 1150g +/- 5% for a painted size M. The weight refers to the frame in M size with matt finish. For other colors, the additional layers of color affect the final weight so we invite you to check this directly at an authorized wilier triestina dealer.

### Do the integrated cables pass through the handlebar?

The cables are integrated inside the frame, running through the superthin bearings but not inside the handlebar and the stem. This allows quick and economical maintenance and/or part replacement.

### Is the superthin bearing available as a spare part?

Yes. The upper superthin bearing is not normally available on the market but is a design owned by Wilier Triestina and will only be available at the Wilier Triestina authorized dealers.

### What are the sizes of the thru axle system in the Garda DISC version?

The measurements of the thru axle system are 12x125mm for the front and 2x171mm for the rear.

### What tires can I install on Garda?

The RIM version can accommodate tyres up to a max width of 28mm.  
The DISC version is designed for tyres with a real max width of 32mm.

### Can I install triathlon accessories?

Yes. Triathlon armrests can be installed on the Barra S handlebar given that it has a 31.8 mm round diameter.

### What is the handlebar/stem set-up for the Garda model?

The Garda is equipped as standard with a Stemma S handlebar and a Barra S stem. It is possible to switch out the handlebar for other 31.8 mm diameter products or other integrated / semi-integrated Wilier Triestina handlebars purchased in the aftermarket (Filante Bar, O-Bar, J-Bar and Stemma SL).

### Does the Garda require a dedicated seatpost?

No. It is fitted with a round seatpost measuring 27.2mm in diameter.



